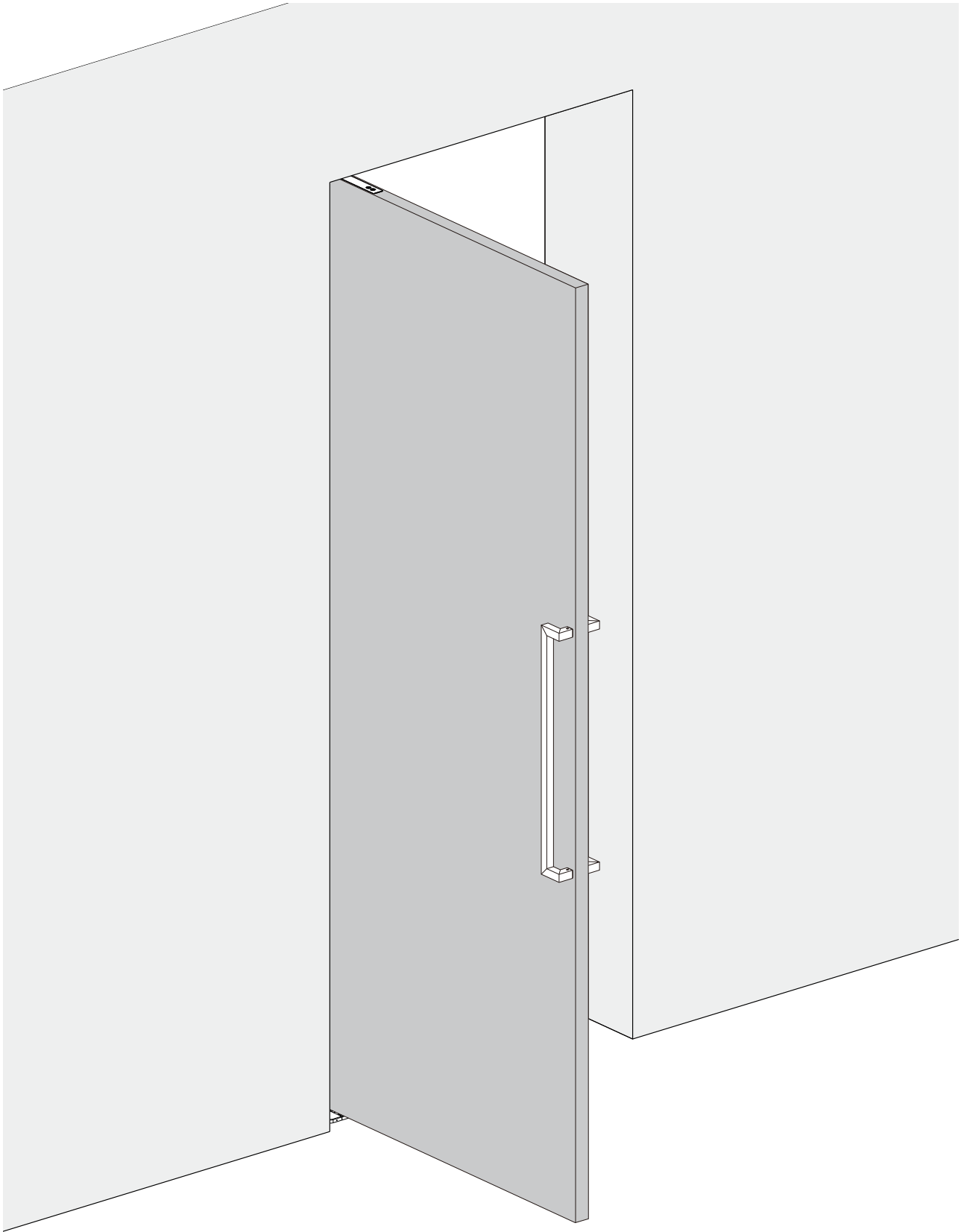
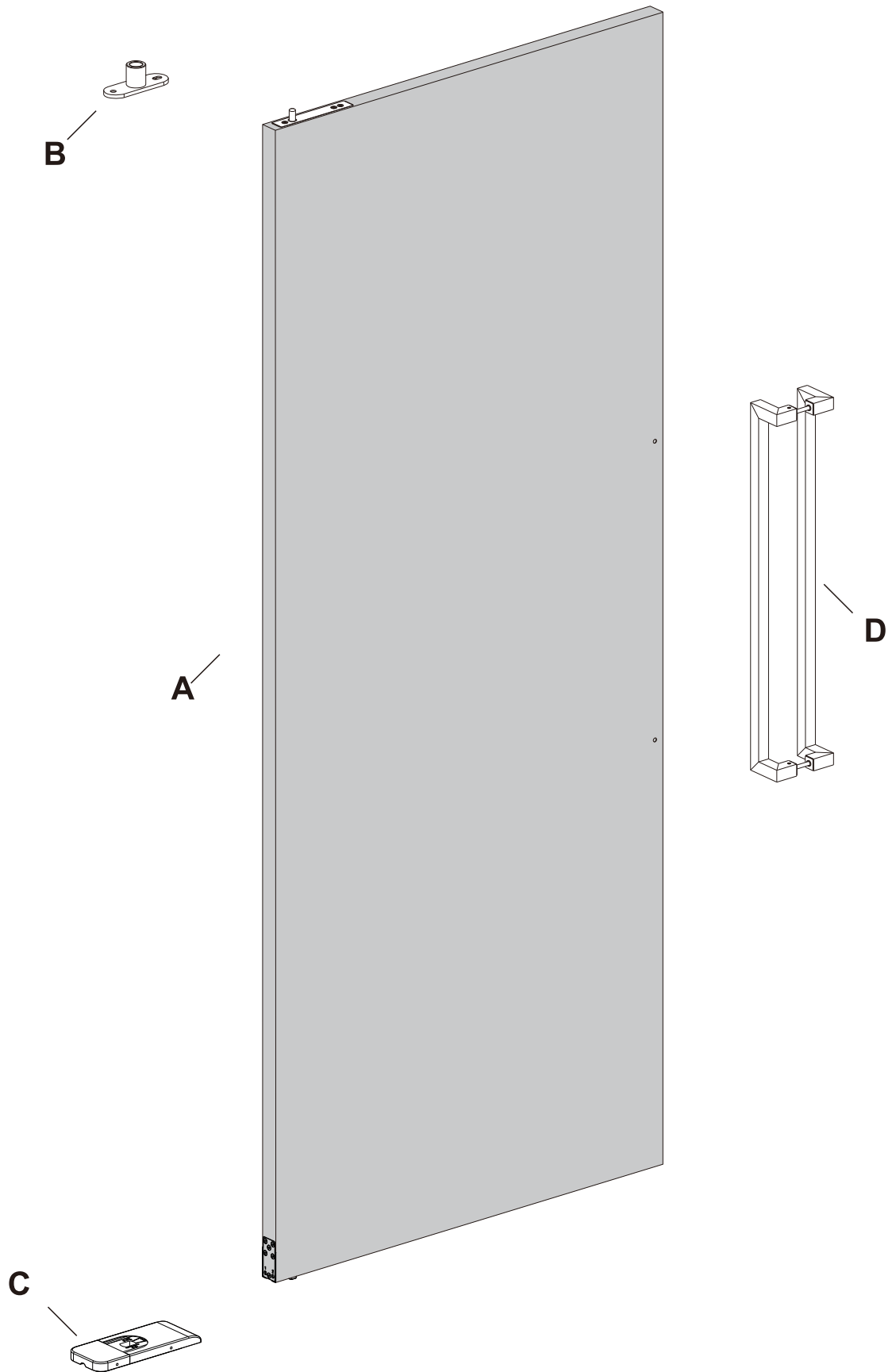


# Installation Manual

---

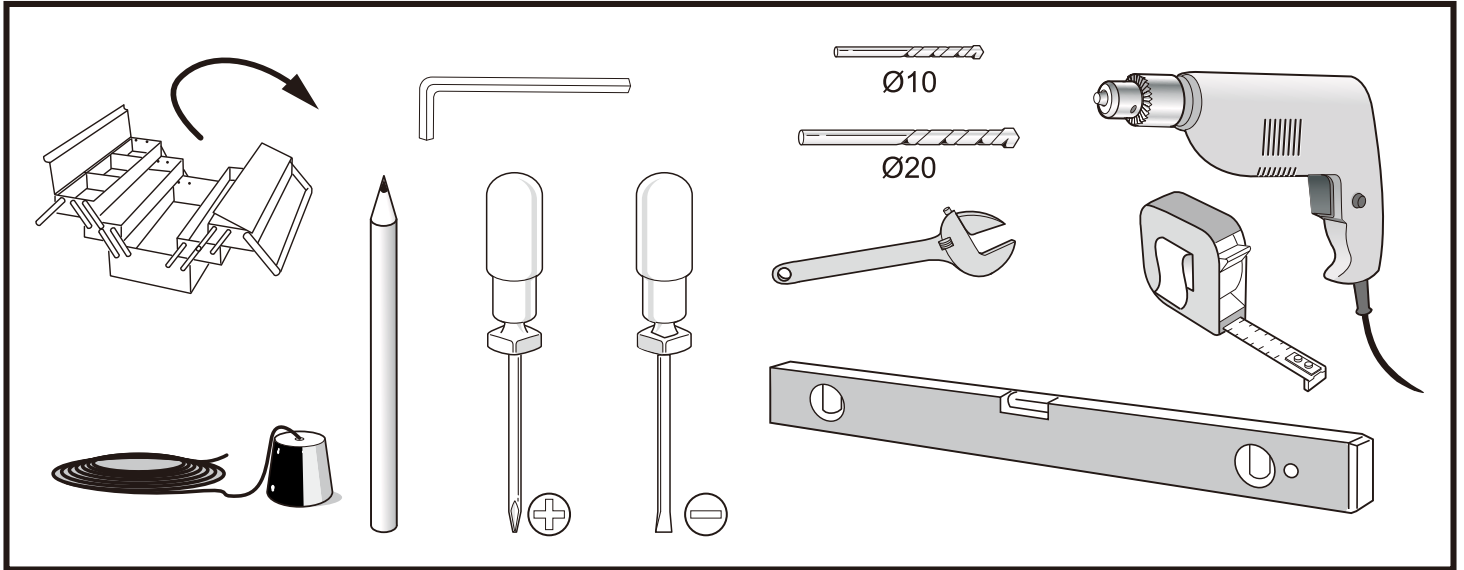


# Components list

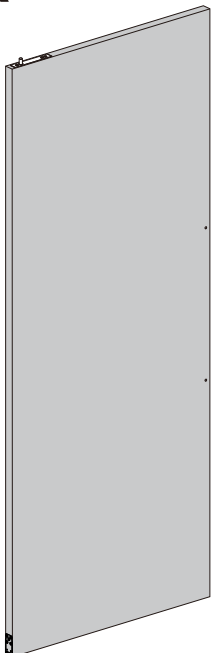
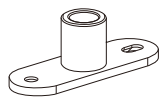



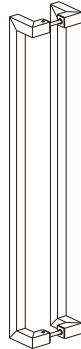
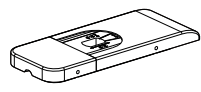





# Pre-installation

## TOOLS REQUIRED



## HARDWARE INCLUDED

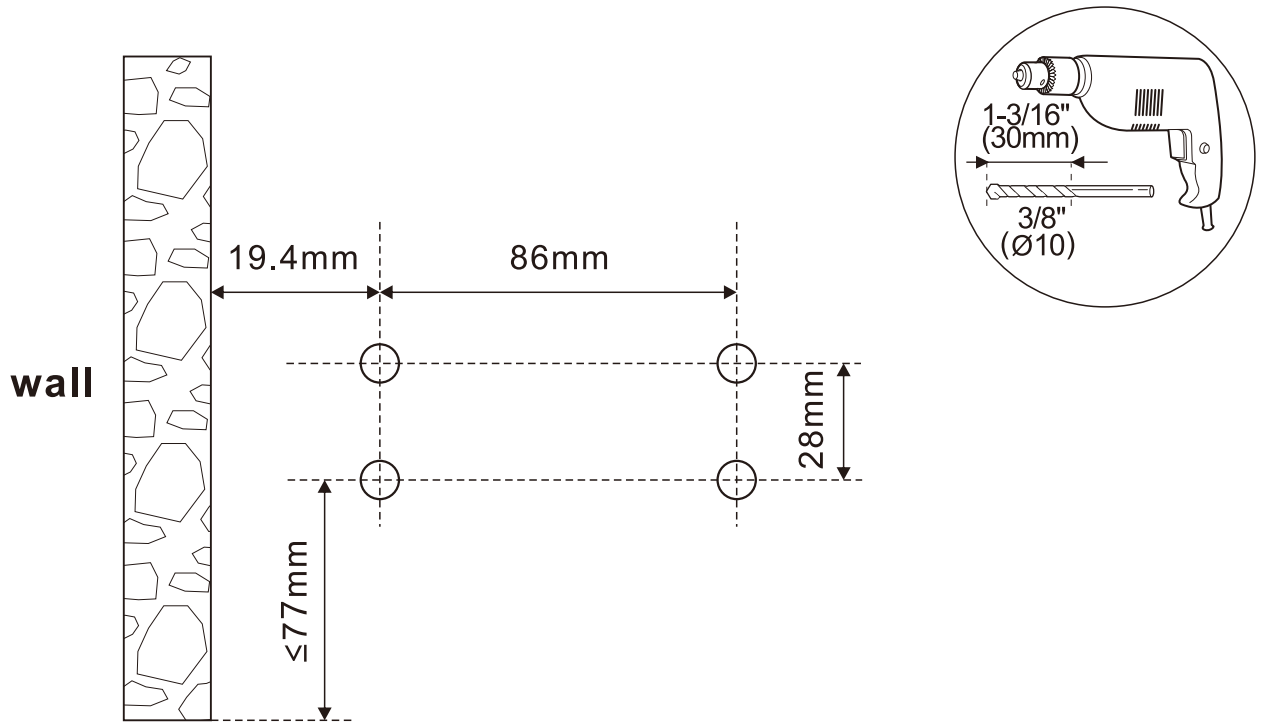
<p><b>A</b></p>  <p>(x1)</p>	<p><b>B</b></p>  <p>(x1)</p> <p><b>Wooden Wall</b></p>  <p>ST4.8x25(x2)</p> <hr/> <p><b>Cement Wall</b></p>  <p>ST4.8x38(x2)</p>  <p><math>\text{Ø}8</math> (x2)</p>	<p><b>D</b></p>  <p>(x1)</p>
<p><b>C</b></p>  <p>(x1)</p>  <p>M8x25(x4)</p>  <p><math>\text{Ø}10</math> (x4)</p>	 <p>(x1)</p>	

# Door preparation

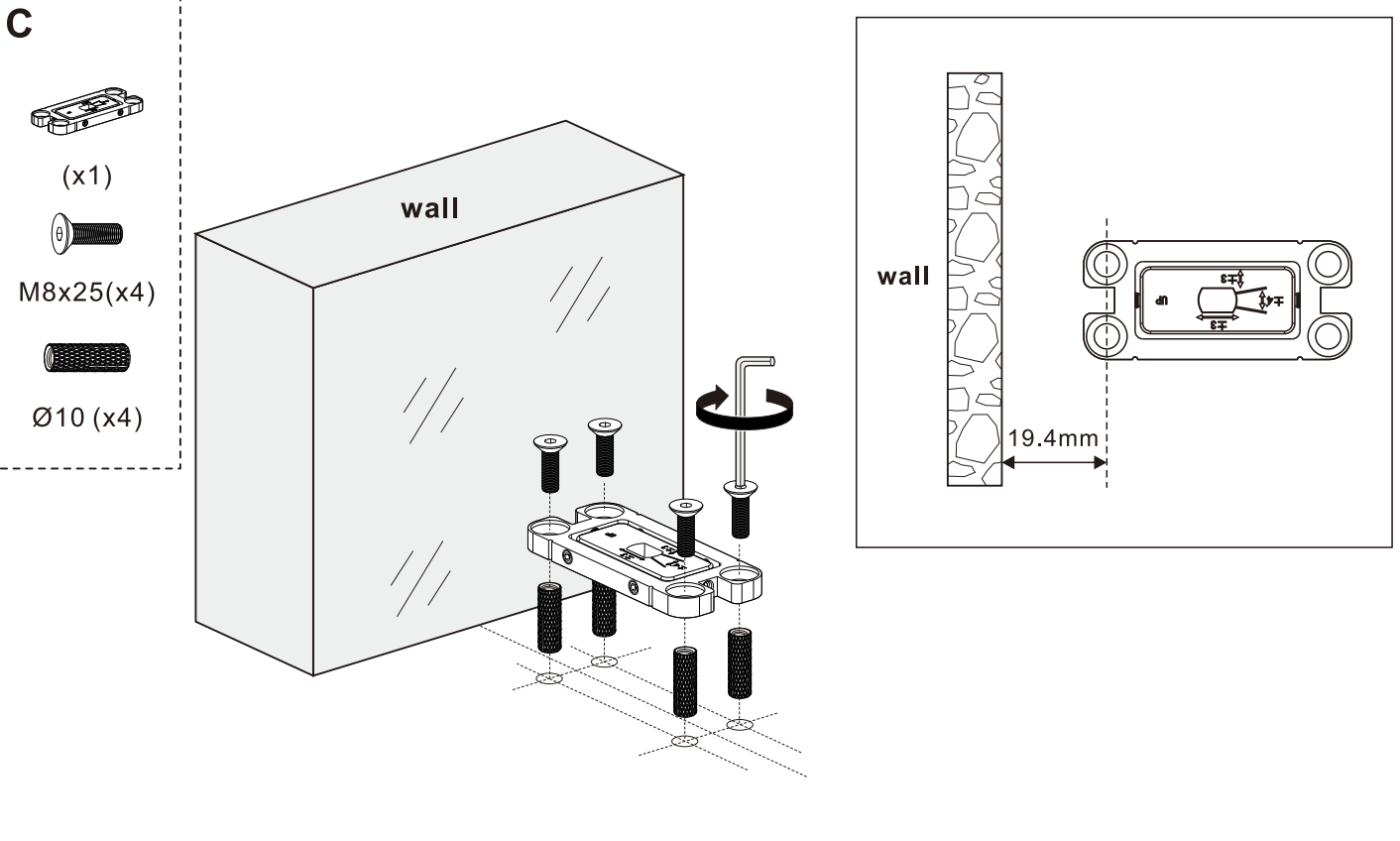


# Installation

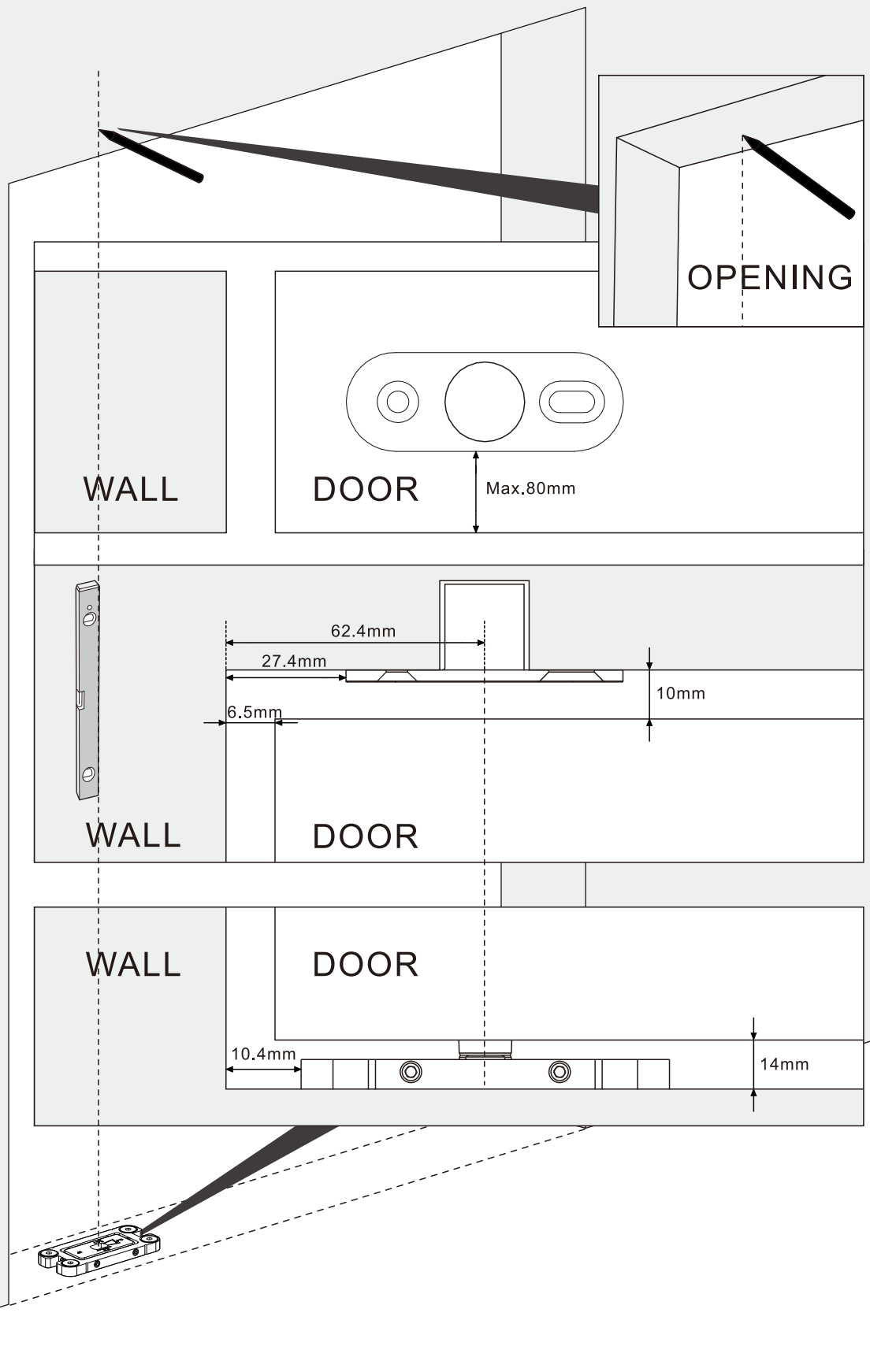
- 1** Determine the position of floor plate and mark hole locations.  
Drill holes in the floor at marked locations.



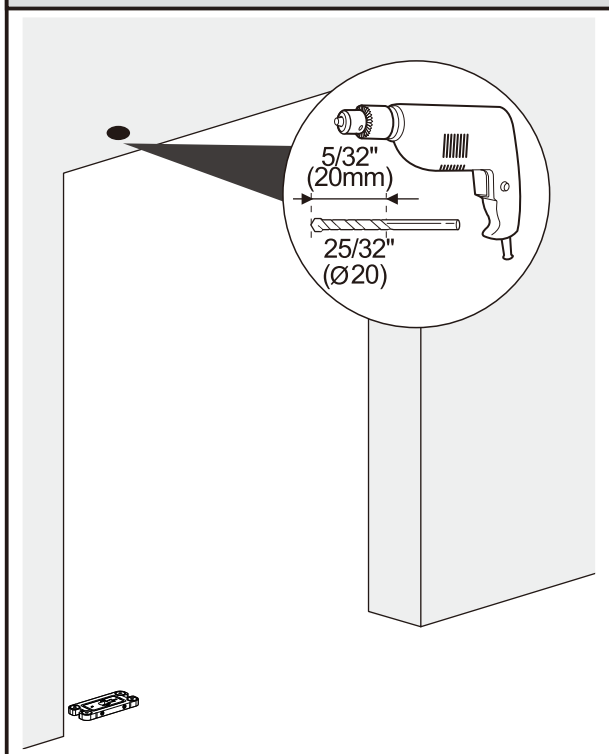
- 2** Attach floor plate with bolts and anchors. Make sure the floor plate is well fixed.



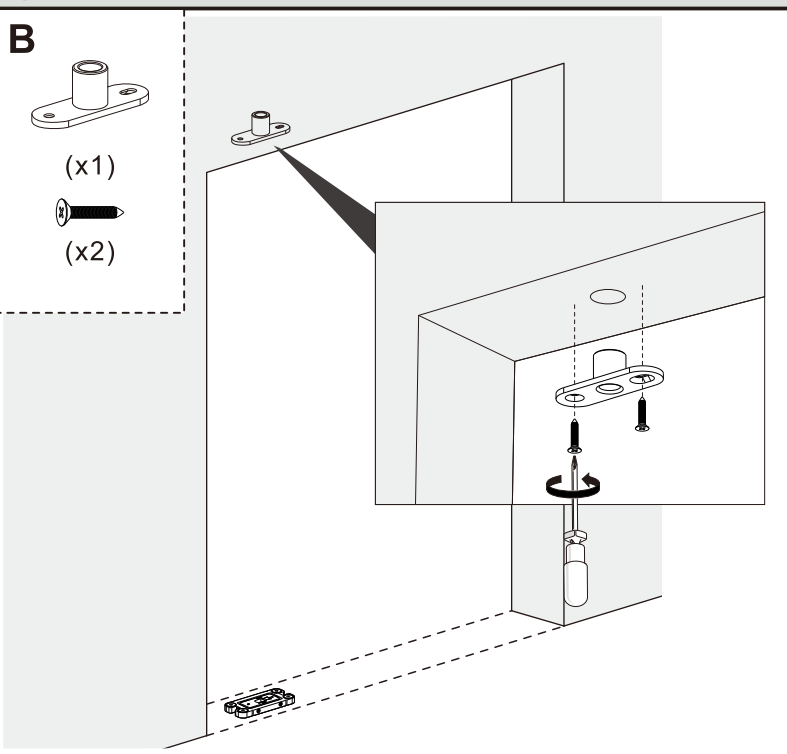
**3** Mark the hole position of top pivot plate use a pencil. Make sure the top pivot plate axis is plumb with the bottom floor plate axis.



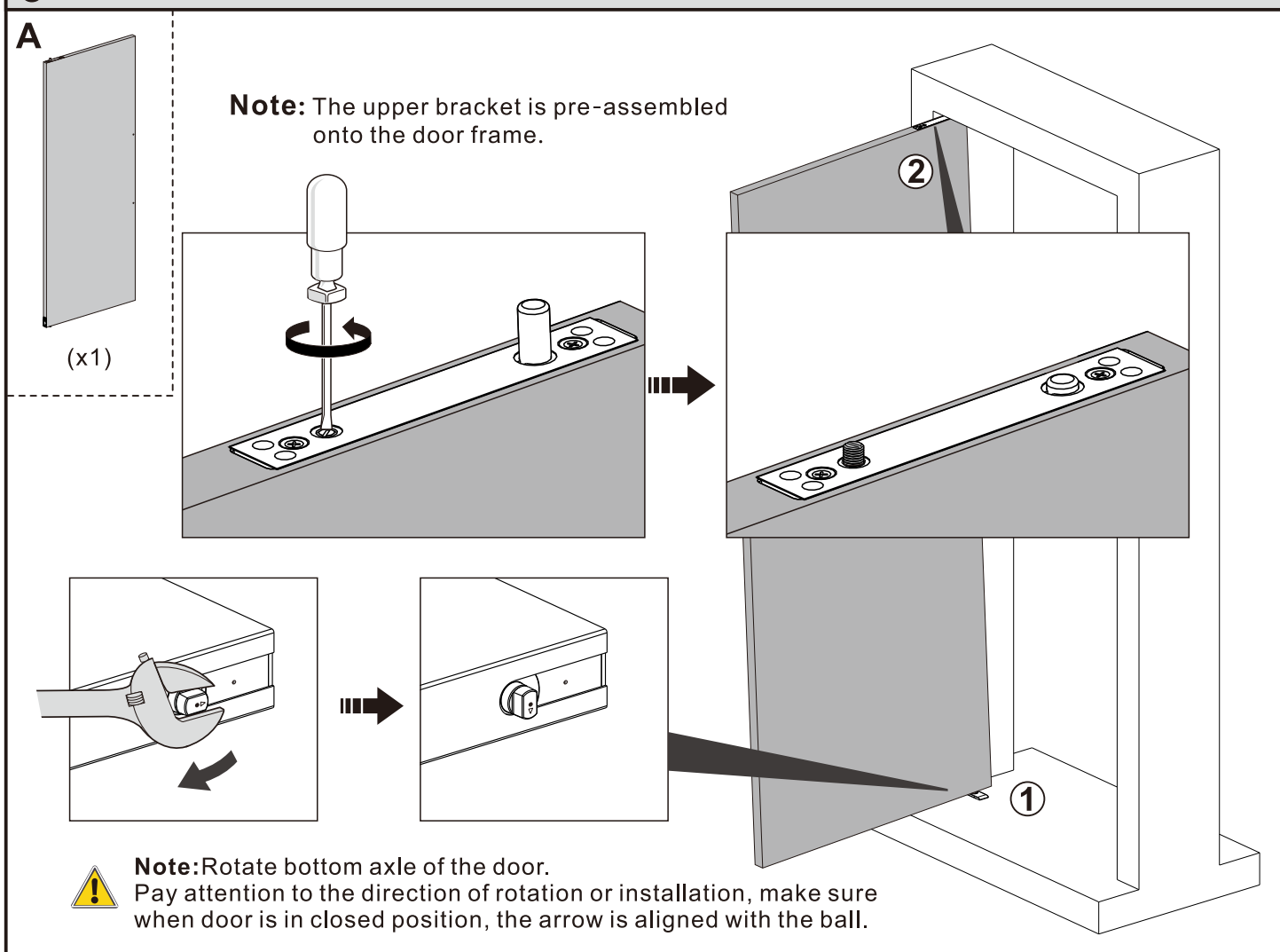
#### 4 Drill holes at marked locations.



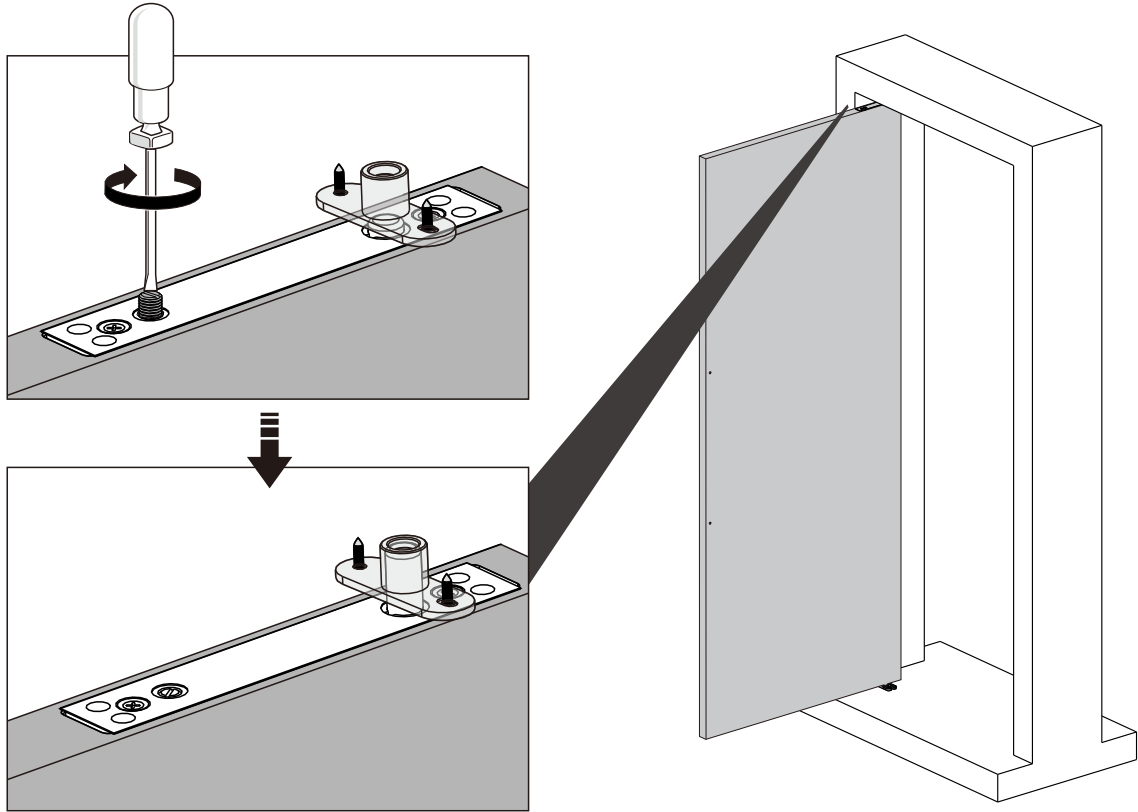
#### 5 Affix top pivot plate with screws.



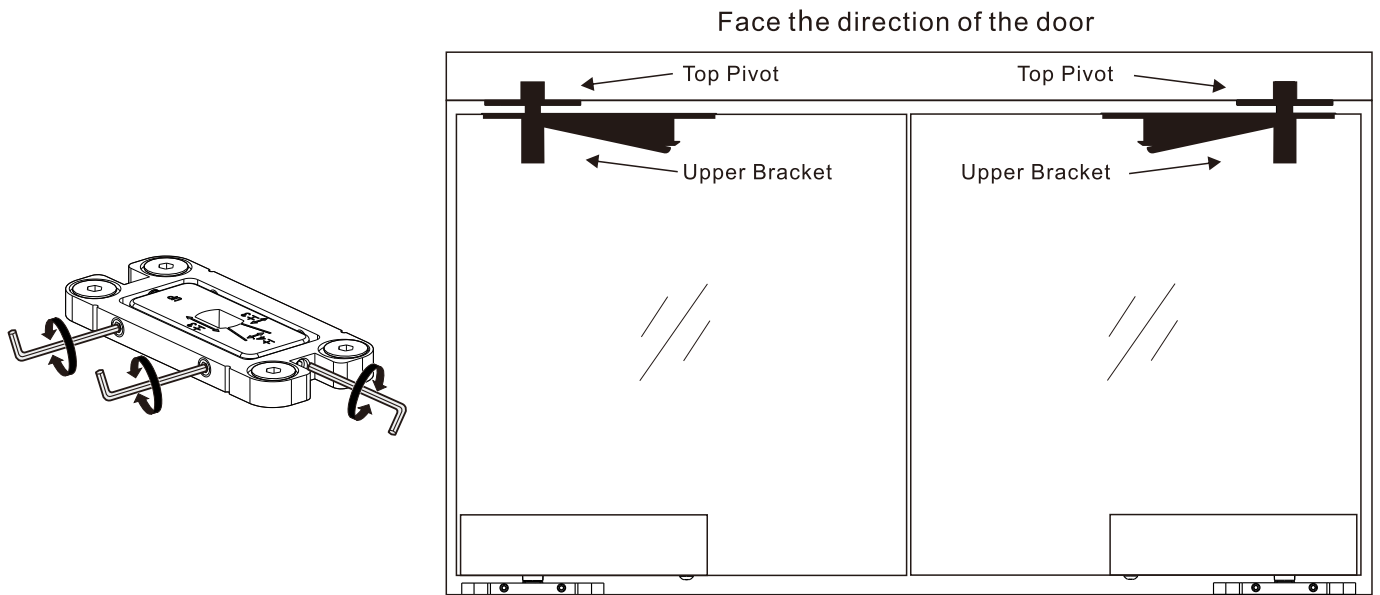
#### 6 Loosen the screws of upper bracket to make pin retract. Position the door on the floor plate.



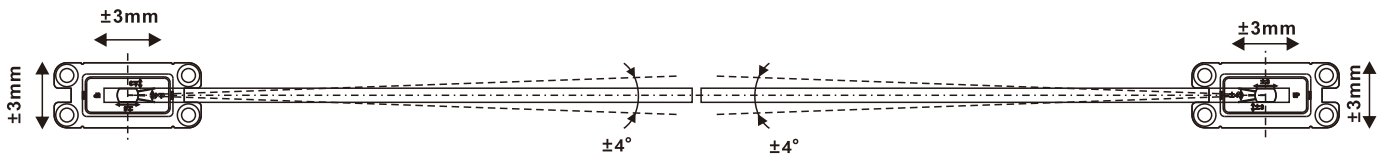
**7** Fasten the screws to make pin pot out. Ensure the pin is correctly set inside the top pivot.



**8** Fine-tune door positioning



Fine-tune with screws in floor plate for door positioning.  
Adjust until door on 0° position and properly aligned.



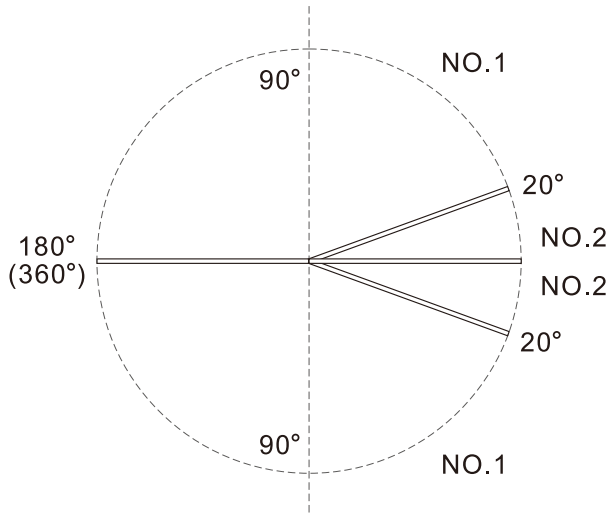


## 9 Adjust the buffer speed.

Adjust the buffer speed between speed NO.1 and NO.2. First adjust speed NO.1 (90°-20°), then adjust speed NO.2 (20°-0°) till door works smoothly.

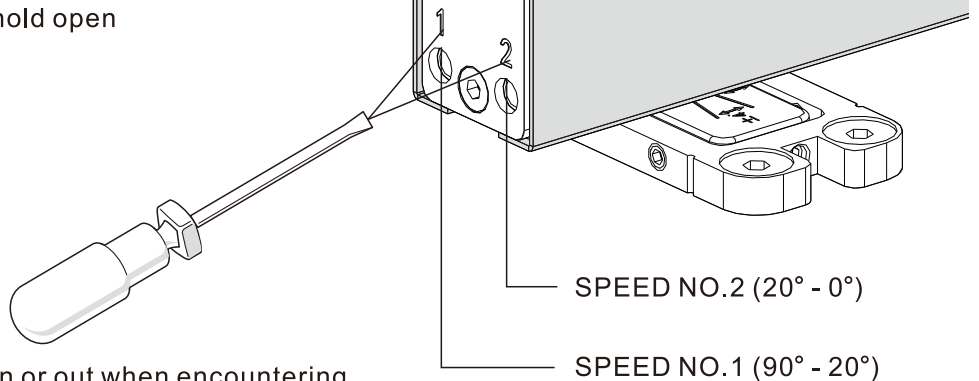
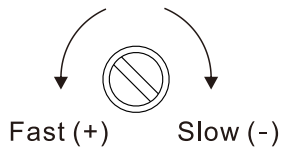
It is recommended to turn speed valves **1/16** circle every time.

Hold open at 90° or no hold open



Hold open at 90° or no hold open

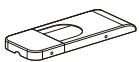
Speed valves



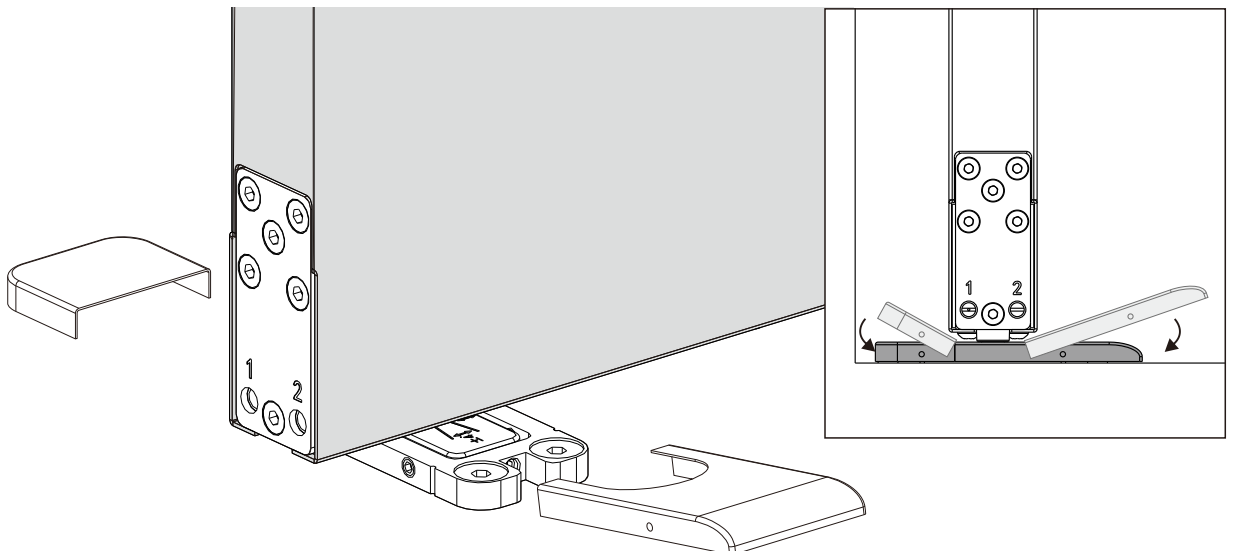
**!** **Note:** Do not forcibly screw in or out when encountering the limit, or the oil will leak out.

## 10 Put stainless steel covers onto floor plate and tighten.

C



(x1)



# 11 Install Door Handle.

D



(x1)

